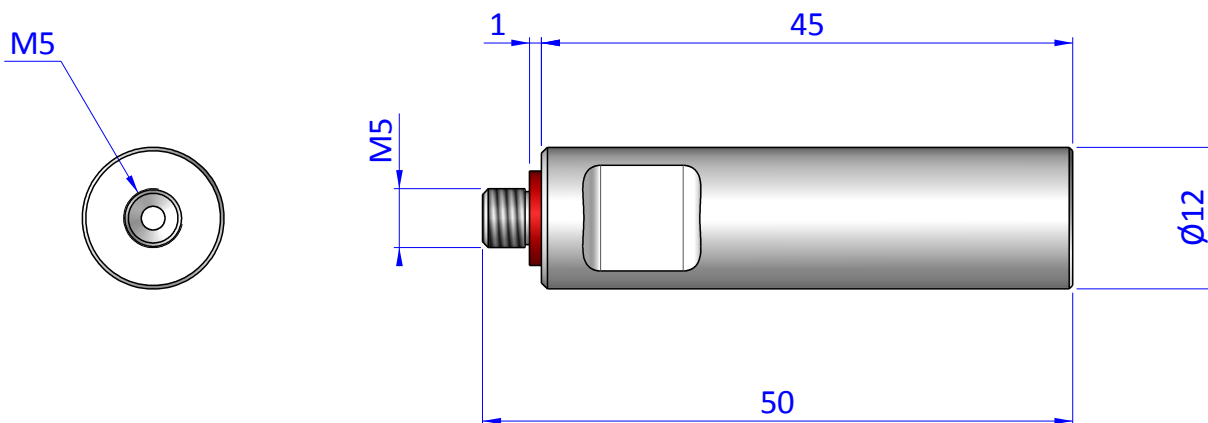
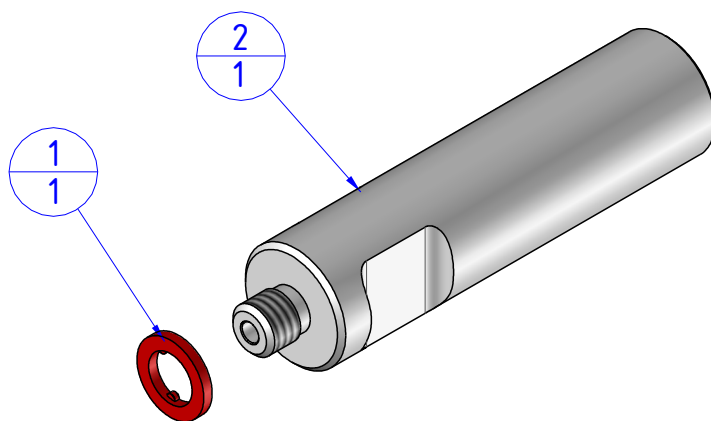


THE PROPERTY OF THE DRAWING IS ESTABLISHED BY LAW. IT IS FORBIDDEN TO PRODUCE OR SHOW IT TO THIRD PART. WITHOUT A WRITTEN AGREEMENT.

Item	Name	Q.ty
1	CA.08.09.05	1
2	GSEG.120545	1



Format A4 UNI 936-76					DESIGNED FROM FPSERVICES	REVIEW A / 4
	GENERAL TOLERANCE UNI - ISO 2768 CLASSE f		DESCRIPTION CA.GSEG.120545		DATE 26/02/2019	WEIGHT 0,012kg
					CODE CA.GSEG.120545	